



GAIA PEBBLES SDN BHD

**MEDICAL DEVICES**



# NEW STRAITS TIMES

## Sirim collaborates with Gaia Pebbles to drive medical device technology transfer to local industry players

By [NST Business](#) - December 20, 2022 @ 3:13pm



Under the agreement, STV is transferring the portable procedure station (PPS) technology to boost GAIA business diversification in the medical device industry.

**KUALA LUMPUR:** Sirim Bhd's subsidiary, Sirim Tech Venture Sdn Bhd (STV), has collaborated with Gaia Pebbles Sdn Bhd (GAIA) to drive medical device technology transfer to local industry players.

Under the agreement, STV is transferring the portable procedure station (PPS) technology to boost GAIA business diversification in the medical device industry.

Sirim president and group chief executive officer Datuk Dr Ahmad Sabirin Arshad said the agreement, among other things, will provide GAIA with knowledge in medical device technology and position GAIA as an industry player for PPS in Malaysia.



## NEW STRAITS TIMES

"Additionally, GAIA has direct access to available technology solutions in SIRIM and external sources.

"This significant agreement, among other things, will provide GAIA with knowledge in medical device technology and position GAIA as an industry player for PPS in Malaysia.

"Additionally, GAIA has direct access to available technology solutions in SIRIM as well as external sources," he said.

PPS is a portable equipment made of medical-grade stainless steel 304 to facilitate wound cleansing, especially in emergencies.

It will minimise patient complications and cross-infection risk while providing a safe and hygienic environment.

Sirim said government hospitals and health clinics are the primary target market, as those are where most emergency cases will be referred.

However, it is not limited to private hospitals and clinics as they are also the potential target market, it added.

The engagements between GAIA and STV commenced in June 2022 with several discussions and negotiations, which led to the signing ceremony of the outright sale agreement between STV and Gaia recently.



GAIA PEBBLES SDN BHD

# PORTABLE PROCEDURE STATION (PPS)





# PORTABLE PROCEDURE STATION (PPS)

Portable Procedure Station (PPS) is a medical device for the management of handling and controlling bleeding as well as reducing the risk of cross infection.

## BACKGROUND OF PORTABLE PROCEDURE STATION (PPS)

Portable Procedure Station (PPS) is a medical device product designed to be use in the work of handling medical procedures for patients who suffering from injuries and severe bleeding in any part of the body, especially on the head. PPS is also very suitable to be use by the health workers in a more efficient, professional, and user – friendly manner for both health staff and patients.

PPS is designed together with a supporting accessories that are built from high quality and portable materials. By using PPS, health procedures can be carried out on patients more easily and comfortably and can be handled by only one health staff, depending on the patient's condition.

## COMPONENT AND MATERIALS OF PPS

- Support (Stainless Steel 304)
- Watershed (Stainless Steel 304 )
- Flow & Reservoir (Rubber / Silicone / Plastic)
- Additional Accessories ( Vacuum disposable bag, Disposable Jerry Can, Spring Hose, Disposable Plastic Tray, Head Rest Attachment )



## BENEFITS

- Controlling the bleeding and reducing the risk of cross infection.
- Suitability used for other procedures such as Eye Irrigation, Toilet & Suturing, Ear Flushing, Debridement and others.
- To be use in both health and communities clinics for a simple procedures.

### Address

22, Jalan Linggis 15/24, Seksyen 15, 40200  
Shah Alam, Selangor

[GAIAPEBBLES.COM.MY](http://GAIAPEBBLES.COM.MY)

### Email

[GaiaPebbles@gmail.com](mailto:GaiaPebbles@gmail.com)

### Telefon

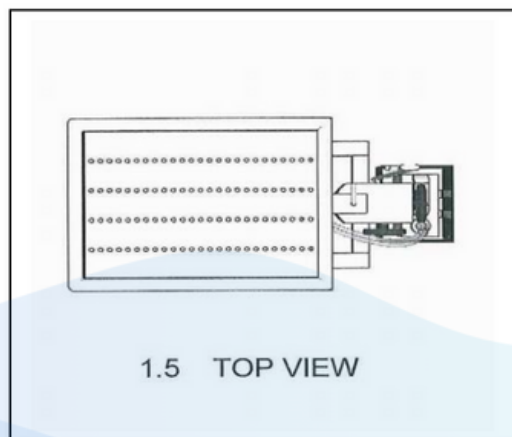
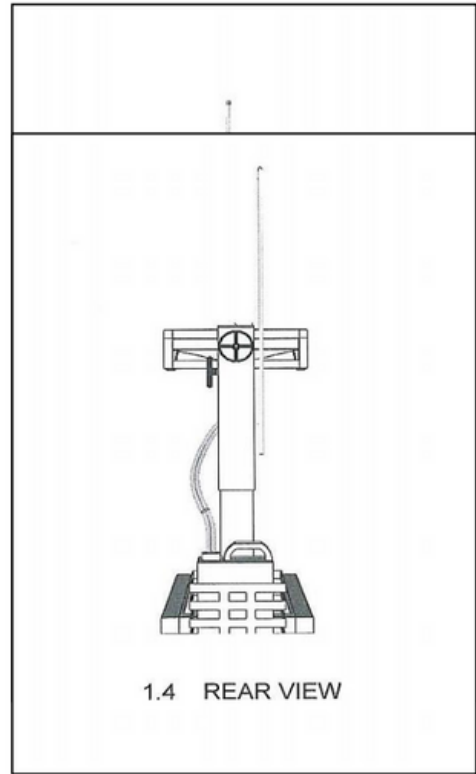
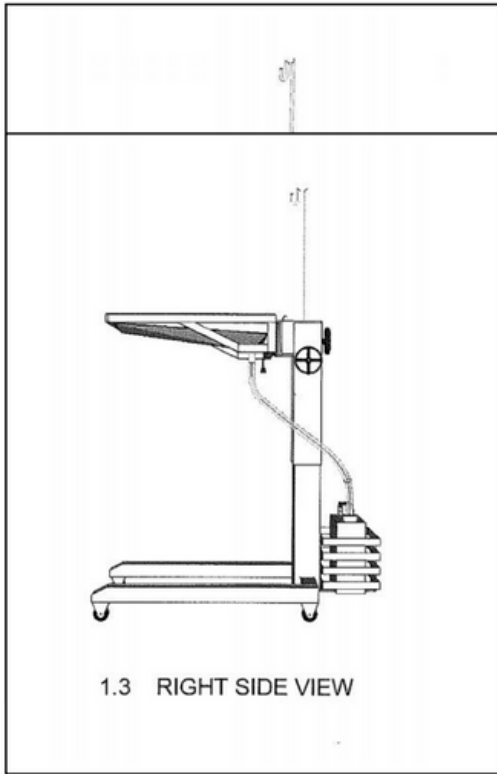
012 445 3442



*PORTABLE PROCEDURE STATION (PPS)*

---

**Portable Procedure Station (PPS) different angle**



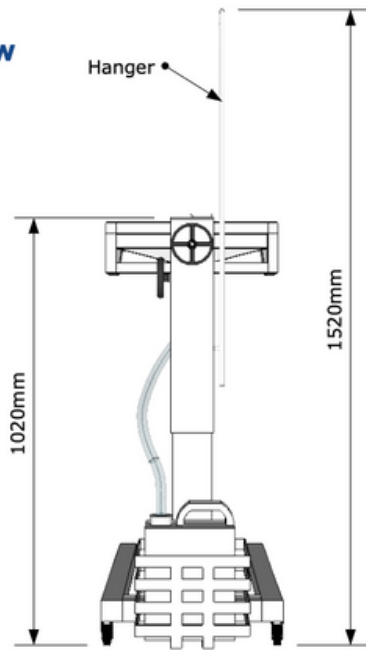


PORTABLE PROCEDURE STATION (PPS)

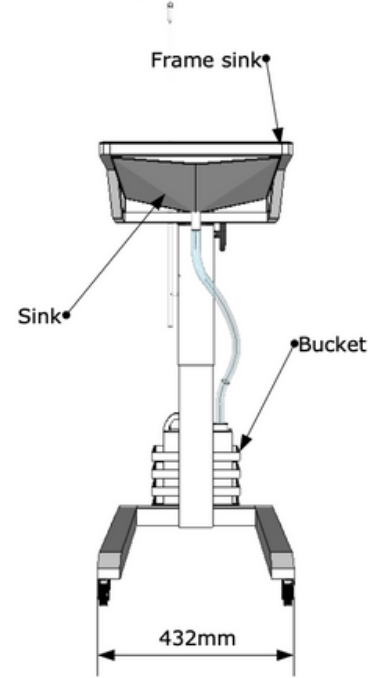
Measurement Portable Procedure Station (PPS)

Height (mm)	Width (mm)	Length (mm)
1520	432	760

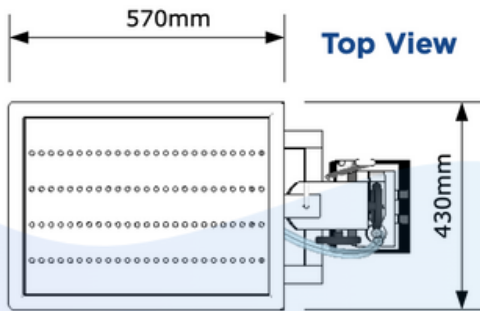
Back View



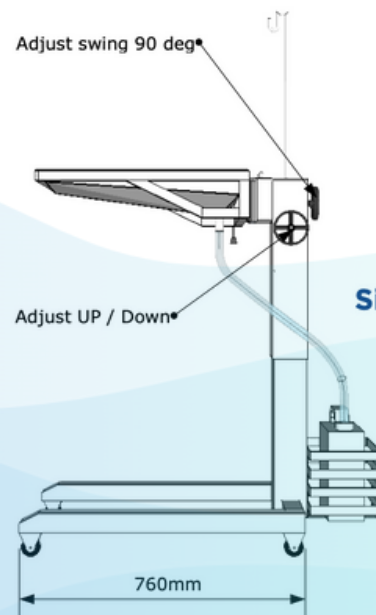
Front View



Top View



Side View





GAIA PEBBLES SDN BHD



**JERAI  
PROSTHETIC  
LEG COVER  
JUMP BACK  
INTO LIFE.**







## JERAI PROSTHETIC LEG COVER

---

### Product Description

Jerai Prosthetic Covers have an attractive and contemporary style that will inspire more users. Pick from a variety of designs, or create your own prosthetic cover.

### Features

- **Custom-made:** Perfect fit for each patient.
- **Splash resistant:** Unlikely to be damaged by splashes of water.
- **Carbon Fiber + PETG:** The mesh of materials makes it more durable than conventional foam covers.
- **Hygienic:** Doesn't absorb water that can cause mold to form.
- **Easy to clean:** Can easily wipe off dirt and stains.
- **Customization:** Variety of materials and designs to choose from.
- **Suitability:** All activity levels.





# JERAI PROSTHETIC LEG COVER

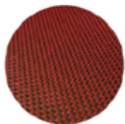
## Jerai Product Line

### #CF Carbon Fiber

Sporty look, etc..



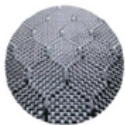
#CF1



#CF2



#CF3



#CF4

### #ST Skin Tone

Natural look. etc..



#ST1



#ST2



#ST3



#ST4



#ST5



#ST6



#ST7



#ST8



#ST9



#ST10



#ST11



#ST12



#ST13



#ST14



#ST15



#ST16



#ST17



#ST18

### #IT Illustration

Personalized expression, etc..



#IT1



#IT2



#IT3



#IT4



#IT5

Jerai Product Line



# JERAI PROSTHETIC LEG COVER

## Ordering information for Jerai

Use Step Flow	STEP 1 Prosthetic Leg	STEP 2 Sound Leg	STEP 3 Cover
<b>Measurement</b>			
Top (Circumference)	[Measurement line corresponding to Point 4]		
Middle (Circumference)	[Measurement line corresponding to Point 3]		
Bottom (Circumference)	[Measurement line corresponding to Point 2]		
<b>Length (cm)</b>	[Measurement line corresponding to Point 1]		
P1-P2	[Measurement line corresponding to Point 2]		
P2-P3	[Measurement line corresponding to Point 3]		
P3-P4	[Measurement line corresponding to Point 4]		
<b>Product Code #</b>	[Measurement line corresponding to Point 1]		
<b>Guide</b>	<ul style="list-style-type: none"> <li>● Circumference</li> <li>◆ Length</li> </ul>		
			<b>Additional Requirement:</b> <ul style="list-style-type: none"> <li>• Pin: .....</li> <li>• Height: .....</li> <li>• Circumference: .....</li> <li>• Side: .....</li> </ul>



## **GAIA PEBBLES SDN BHD**

### **Alamat**

22, Jalan Linggis 15/24, Seksyen 15, 40200  
Shah Alam, Selangor

### **Emel**

GaiaPebbles@gmail.com

### **Telefon**

012 445 3442

**GAIAPEBBLES.COM.MY**